

SLIDING DOOR SYSTEMS

ÉSTHETEK



Scan to view
our Instagram

Contact Us:

Email - info@estheteak.com

Phone - +1(437) 366 - 6583

Website - www.estheteak.com

Address - #203 - 411 Richmond St. E,
Toronto, ON M5A 3S5



ÉSTHETEK

About Us

ÉSTHETEAK

The authorized dealer of raumplus GmbH and Nolte Kuechen for the Greater Toronto Area, based in downtown Toronto. We provide a one-stop solution for all kinds of spaces in your home or office; residential, commercial, or hospitality.

raumplus®

Specialized in high-quality German-engineered sliding door and interior systems, available in 70+ countries worldwide. Equally suited for commercial and residential projects.



WARRANTY

10 Years of
Warranty



Scan to view
our Website

Quality

Made in Germany guarantees high quality, superior fit, and finishes. Innovative concealed hardware offers a modern, streamlined aesthetic. All hardware is warranted for 10 years. Cycle Test (Door weight 40kg): 100,000 cycles So, let's say you open your closet door twice a day then it'll last 136 years.

Flexibility

raumplus sliding systems allow maximum flexibility of space. Simple, easily installed room dividers, elegant office and conference room sliding doors. Space efficient, luminous patient room doors, everything is possible with our sliding door system.

Value

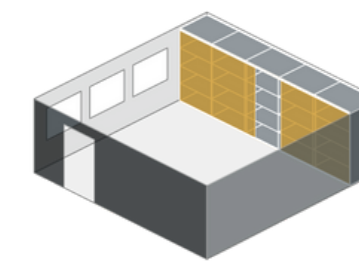
éstheteak has a raumplus display center in Toronto and an owner-managed business and manufacturing unit in the USA. We guarantee the highest standards of customer service and extensive product knowledge. We can assist with design solutions that best fit desires, preferences, and budgets. We are happy to provide quotes, drawings, contractor coordination, and order management.

Design Solutions

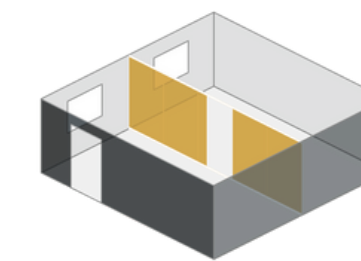
raumplus sliding systems allow maximum flexibility of space. Simple, easily installed room dividers, elegant office and conference room sliding doors. Space efficient, luminous patient room doors, everything is possible with our sliding door system.

Purchasing

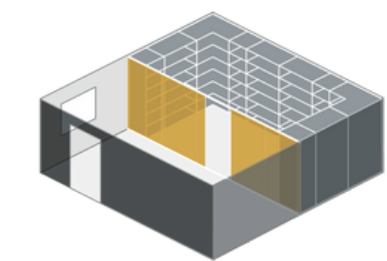
Available as Made-to-Measure assembled doors or frame kits, hardware only for local Fabrication, or QuickShip when time is limited.



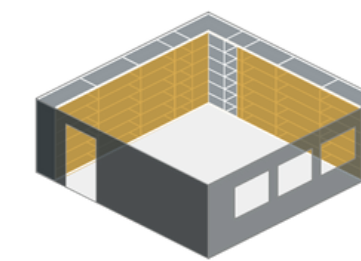
sliding door closet



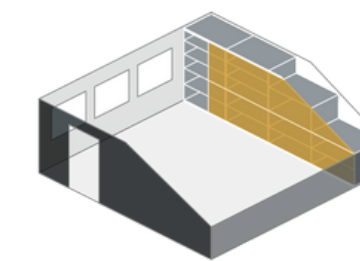
room divider



walk-in closet



sliding door for corner



sliding door closet for
angled roof sideways

Sliding TV Door

It combines the functionality of a sliding door with a media center. This innovative design incorporates a flat-screen monitor within the door panel, enabling the closet door or room divider to serve as a television or monitor. The monitor, accommodating a maximum 55-inch screen diagonal and weighing up to 25 kg, is seamlessly installed at the rear of the door panel. A diverse selection of colors and materials is offered for the panel, facilitating harmonization with the room's interior décor. The sliding door system's profiles are equally customizable and available in various designs. The only specifications necessary are a door height ranging from 54.1 to 108.2 inches and a width between 35.4 and 59 inches, fitting a 55-inch screen. Operating the TV or monitor is convenient with a Bluetooth remote control, providing a modern solution for users to effortlessly manage music, movies, internet browsing, and gaming from the comfort of their chair, bed, or sofa.

Please note: The scope of delivery does not include a TV/monitor. When selecting a TV/monitor please make sure that it is Bluetooth-enabled. For better sound quality we recommend using an external loudspeaker.

Sizes (W x H):

Maximum size (W xH): 1500 mm [59"] x 2750 mm [108"]

Minimum size (W xH): 900 [35.5"]x 1350 mm Max. [53.2"]

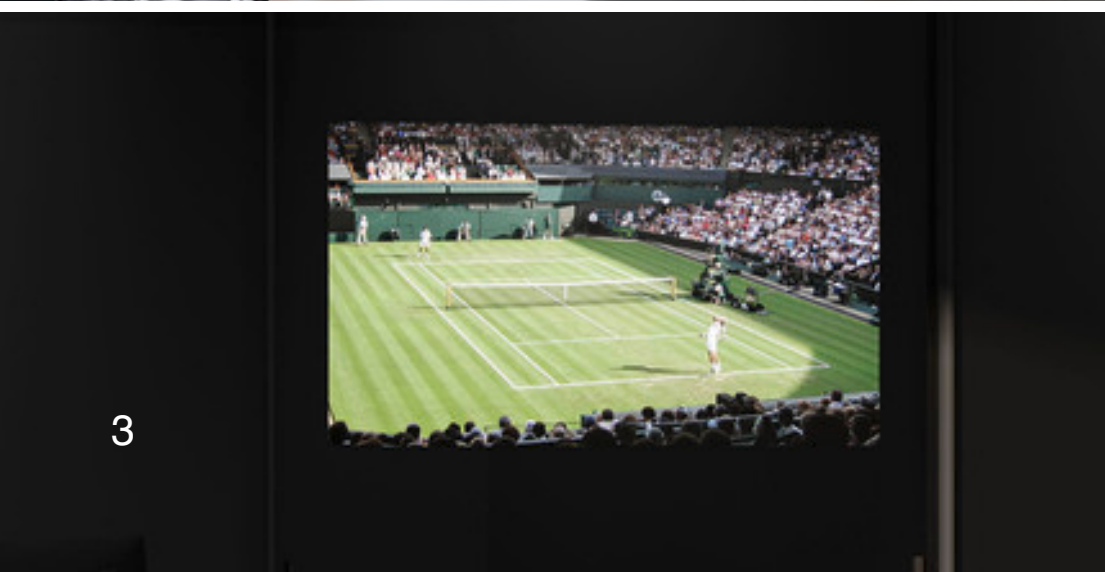
TV size: 55 inches Max.

TV weight: 25 kg [55 lbs.]

Minimum distance required behind the Sliding TV door: 120mm [4.7"]



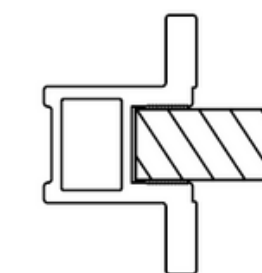
reddot award 2019
winner



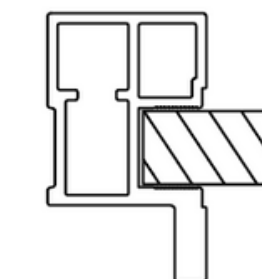
Sliding Door System 34

S720

Sliding Door System 34



symmetric



asymmetric

S34 Bottom Rolling System

Well suited for single or multi-family projects. Use it as closet doors or room dividers. You can opt for panel dividing rails which allows you to use different types of panels or the same panel in two or more pieces. The second option is to have stick-on dividers to create a visual design. Option to integrate tracks seamlessly into the floor surface.

Please note: Profile symmetric or asymmetric Mounting depth 34 mm [1.3"]

Each sliding door is supplied with the following hardware:

- 1_ Single or double top and bottom tracks
- 2_ Top track positioning
- 3_ Profile surface
- 4_ Custom-built sliding door, including all fittings
- 5_ Dust excluding brush or insulating profile

Standard size (W x H): Up to 1500 mm [59"] x 2750 mm [108"]

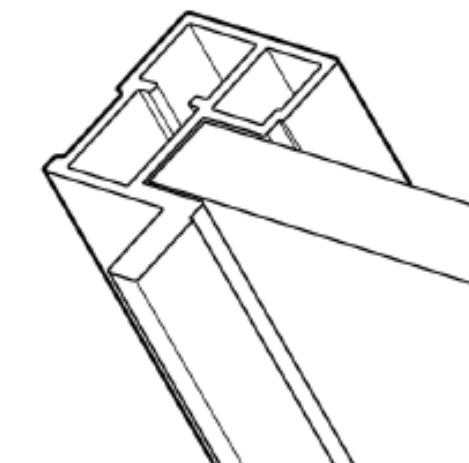
Maximum size (W xH): 1500 mm [59"]x 3200 mm [125"]

Minimum size (W xH): 500 mm [19.7"] x 700 mm [27.6"]

Element weight: max. 180 kg [396 lbs.]

Panel thickness 4mm [3/16"] to 10mm [3/8"]; 10mm no gasket

*Special widths available on request.



Sliding Door System 42

S42 Bottom Rolling System_ Ideal for high-use commercial and residential projects. 3 aluminum frame stiles, keyed locks, **ADA** handles, and unlimited powder coat choices. Tracks integrate seamlessly into the floor surface. You can opt for panel dividing rails which allows you to use two different types of panels or the same panel in two or more pieces. The second option is to stick dividers to create a visual design



S1200



S1500



S8000

5

S1200

Sliding Door System 42

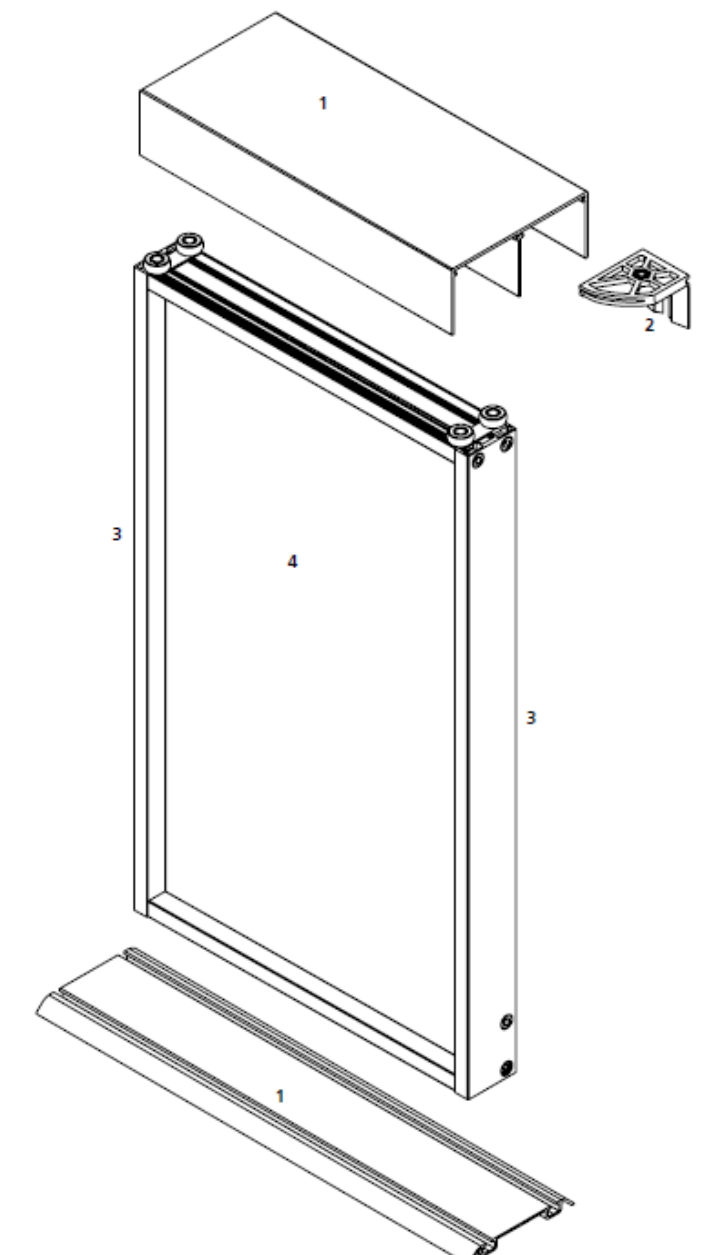
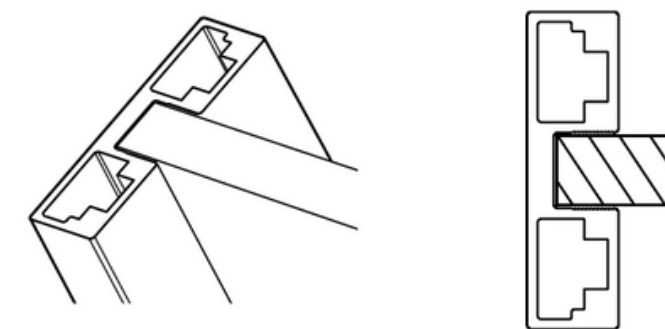
Universal sliding door system for optimum closet solutions, for use as room dividers and wall partitioning system. The narrow edging profile acts as a discreet frame to showcase the panel.

Please note: Mounting depth 42 mm [1 5/8"]

- Each sliding door is supplied with the following:
- 1_ Single or double top and bottom tracks
 - 2_ Top track positioning
 - 3_ Profile surface
 - 4_ Custom-built sliding door, including all fittings

Standard size (W x H): Up to 1500 mm [59"] x max. 2750 mm [108"]
Maximum size (W xH): 1800 mm [70"] x 3500 mm [137"]
Minimum size (W xH): 500 mm [19.7"] x 700 mm [27.6"]
Element weight: max. 180 kg [396 lbs.]
Panel thickness 4mm [3/16"] to 10mm [3/8"] ;10mm no gasket

**Special widths available on request.*



S1200 (exploded view)



6

S1500

Sliding Door System 42

Universal sliding door system for optimum closet solutions, for use as room dividers and wall partitioning system

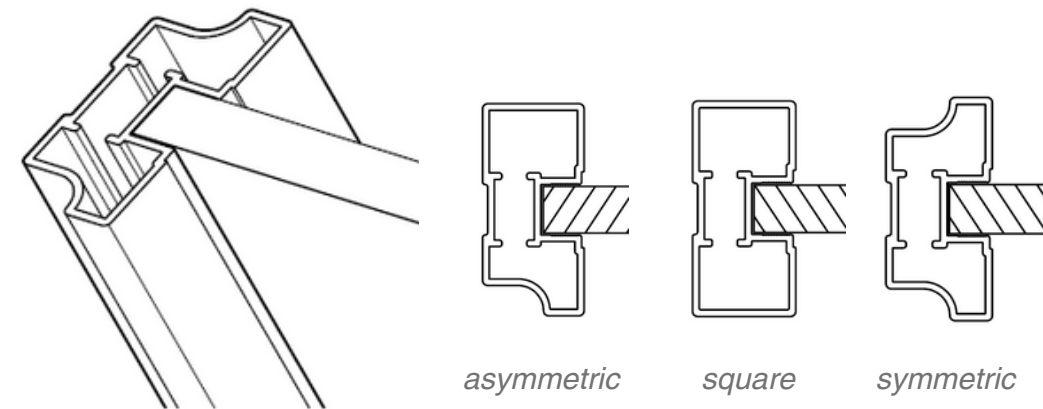
Please note: Mounting depth 42 mm [1 5/8"]

Each sliding door is supplied with the following:

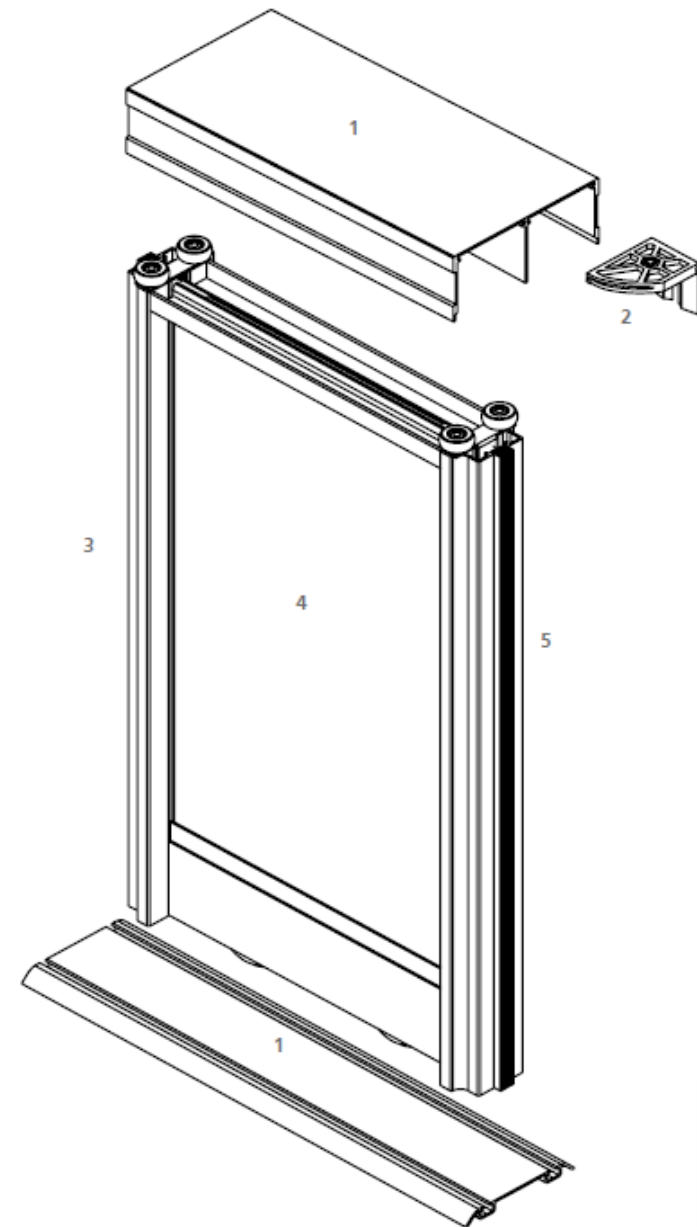
- 1_ Single or double top and bottom tracks
- 2_ Top track positioning
- 3_ Profile surface
- 4_ Custom-built sliding door, including all fittings
- 5_ Dust excluding brush or insulating profile

Standard size (W x H): Up to 1500 mm [59"] x max. 2750 mm [108"]
 Maximum size (W x H): 1800 mm [70"] x 3500 mm [137"]
 Minimum size (W x H): 500 mm [19.7"] x 700 mm [27.6"]
 Element weight: max. 180 kg [396 lbs.]
 Panel thickness 4mm [3/16"] to 10mm [3/8"]; 10mm no gasket

*Special widths available on request.



S1500 (exploded view)



S8000

Sliding Door System 42

Highlight the clear-cut minimalist look. The supporting aluminum profile is virtually invisible behind the panel. Additional special feature: the double-sided panel in glass, MDF, or décor or a mix of materials.

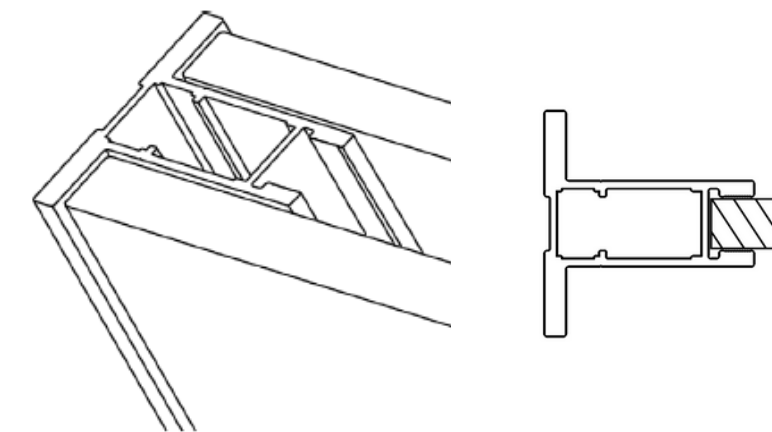
Please note: Mounting depth 42 mm [1 5/8"]

Each sliding door is supplied with the following:

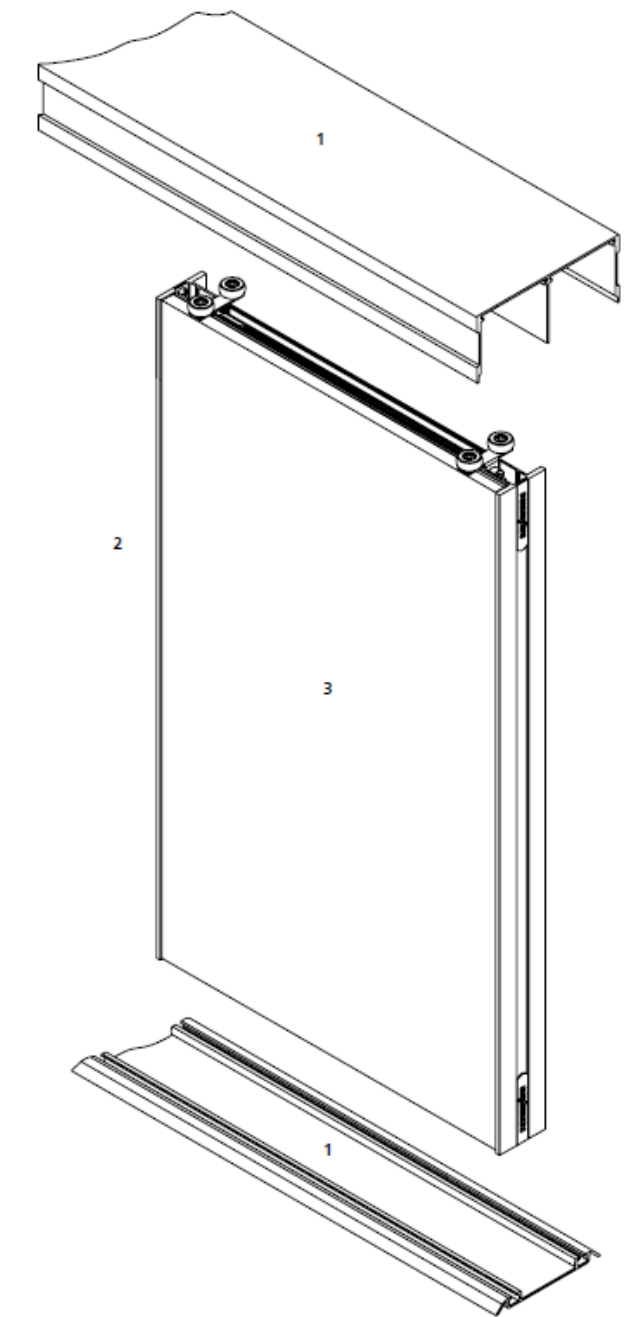
- 1_ Single or double top and bottom tracks
- 2_ Profile surface
- 3_ Custom-built sliding door, including all fittings

Standard size (W x H): Up to 1200 mm [47"] x max. 2750 mm [108"]
 Maximum size (W x H): 1300 mm [51"] x 3000 mm [118"]
 Minimum size (W x H): 500 mm [19.7"] x 700 mm [27.6"]
 Element weight: max. 180 kg [396 lbs.]
 Panel Thickness: 4mm [3/16"]

*Special widths available on request.



S8000 (exploded view)



Air System

We would like to take this opportunity to discuss the topic of barrier-free access. The desire for home living comfort that can meet life's changing requirements. Our AIR sliding doors make stumbling a thing of the past.

Perfect solution when a floor track is not an option — ideal for healthcare. Available as wall- or ceiling-mounted. All our profiles are compatible with the AIR System, keyed locks, **ADA** handles, and unlimited powder coat choices.



S720

Maximum size (W x H): 1200 mm [47"] x 2750 mm [108"]
Minimum size (W x H): 500 mm [19.7"] x 700 mm [27.6"]
Element weight: max. 60 kg [132 lbs.]

Sliding Door System 34

S1200 and S1500

Standard size (W x H): Up to 1200 mm [47"] x max. 2750 mm [108"]
Maximum size (W x H): 1400 [55"] x 3100 mm [122"]
Minimum size (W x H): 500 mm [19.7"] x 700 mm [27.6"]
Max. door weight: 60 kg [132 lbs.]

Sliding Door System 42

S8000

Standard size (W x H): Up to 1200 mm [47"] x max. 2750 mm [108"]
Maximum size (W x H): 1200 mm [47"] x 3000 mm [118"]
Minimum size (W x H): 500 mm [19.7"] x 700 mm [27.6"]
Max. door weight: 60 kg [132 lbs.]



FACET

A profile like a cut gemstone. With Facet, the slender profiles reflect ambient light with varying intensity and add the perfect design touch to interiors as room dividers, cupboard doors, or entrances to walk-in wardrobes.

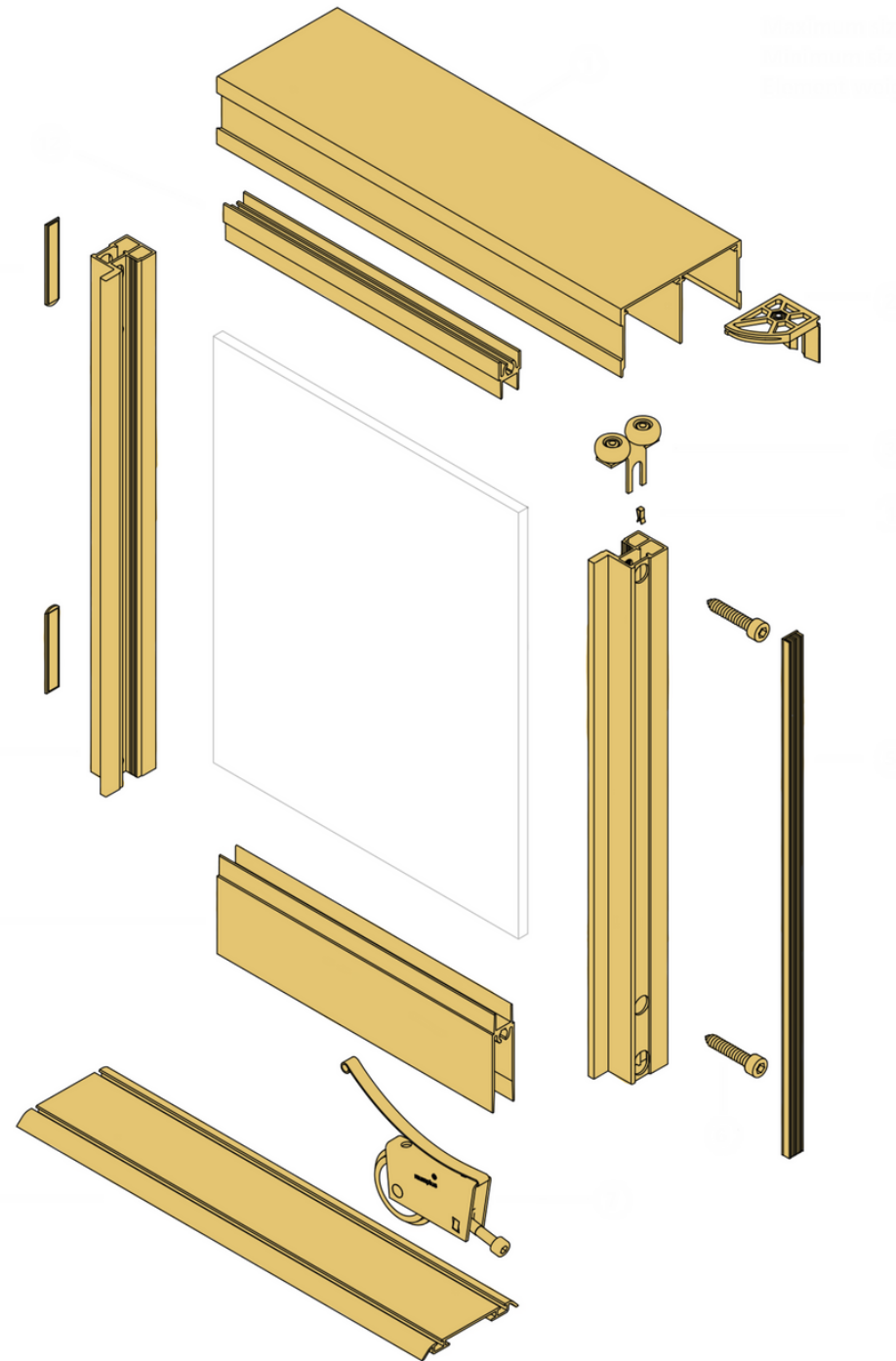


Scan to download catalogues



reddot winner 2023

Frame Kit



This is perfect if you have a custom panel that you would like to use for your sliding doors, that matches perfectly with the interiors of your space.

Our frame kits are of customized sizes as per your requirement, they come predrilled. All you need to do is insert the panel of your choice and assemble the door. Panel dimensions can be provided by us based on the profile you select for the door frame.

- Top track (varies by order)
- Positioning for top track
- Top Roller
- Top rail
- Stile/Door profile (varies by order)
- Frame screw
- Plug/cover
- Dust excluding brush
- Panel gasket (only required if panel thickness is 4-9mm)
- Bottom rail
- Height adjustment screw
- Bottom roller
- Bottom track (varies by order)

Range of Applications

	Sliding door	Sliding door soft close	Folding door	Hinge door	Air system	Air system soft close	Angled door	Corner solution	Sliding TV door
S720 asymmetrical	✓	✓			✓	✓	✓	✓	✓
S720 symmetrical	✓	✓			✓	✓			
S1200	✓	✓	✓	✓	✓	✓		✓	✓
S1500 asymmetrical	✓	✓			✓	✓	✓	✓	✓
S1500 symmetrical	✓	✓			✓	✓	✓	✓	✓
S1500 square	✓	✓			✓	✓	✓	✓	✓
S8000	✓	✓			✓	✓		✓	

Finishes and Colors

	ANODISED					POWDER COATED	
	Silver	Gold	Light bronze	Dark bronze	Inox brushed	White	Black matt
S720 asymmetrical	✓	✓	✓	✓	✓	✓	✓
S720 symmetrical	✓		✓	✓	✓	✓	✓
S1200	✓		✓	✓		✓	✓
S1500 asymmetrical	✓		✓			✓	✓
S1500 symmetrical	✓		✓			✓	✓
S1500 square	✓		✓			✓	✓
S8000	✓					✓	✓

Project References (North America)

HEALTHCARE

Medical City Children's Hospital
Dallas, Texas

Austin Regional Far West Clinic
Austin, Texas

Baptist Health
Miami, Florida

Mount Sinai Hospital
New York City, New York

Banner Baywood Medical Center
Mesa, Arizona

Beaumont Rehabilitation
Hospital Troy, Michigan

New Braunfels
New Braunfels, Texas

Banner Boswell
Sun City, Arizona

Cardinal Glennon Children's
Medical Center St. Louis, Missouri

Overlake Hospital
Bellevue, Washington

Banner Children's Hospital
Phoenix, Arizona

Children's Hospital
Seattle, Washington

Presbyterian Rio Rancho Medical
Center Rio Rancho, New Mexico

Banner Estrella Hospital
Phoenix, Arizona

University of Washington Medical
Center Seattle, Washington

Rehabilitation Hospital of the
Northwest Fall City, Idaho

Banner Fort Collins Medical
Center Fort Collins, Colorado

UPMC Shadyside
Pittsburg, Pennsylvania

Swedish Orthopedic Hospital
Seattle, Washington

St. Francis Hospital, Women's
Health Indianapolis, Indiana

Valley Medical Center
Tacoma, Washington

St. Elizabeth Hospital
Appleton, Wisconsin

Banner Thunderbird Hospital
Phoenix, Arizona

Virginia Mason Hospital
Seattle, Washington

St. Mary Hospital
Jefferson City, Missouri

Banner Sim Lab
Phoenix, Arizona

Washington State University
Biomedical Spokane, Washington

MULTI - FAMILY RESIDENTIAL

33 Water Street Residence
Vancouver, British Columbia

Fifteen Twenty-One Second
Avenue Condominiums
Seattle, Washington

Baptist Health
Miami, Florida

Cannery Lofts
Kelowna, British Columbia

Lumen Condominiums
Seattle, Washington

Beaumont Rehabilitation
Hospital Troy, Michigan

Domus Condominiums
Vancouver, British Columbia

Metal Shutter Houses
New York, New York

Cardinal Glennon Children's
Medical Center St. Louis, Missouri

Elan Living Condominiums
Vancouver, British Columbia

MGM/Veer Condominiums
Las Vegas, Nevada

Children's Hospital
Seattle, Washington

Ellison Condominiums
Vancouver, British Columbia

Mosler Lofts
Seattle, Washington

University of Washington Medical
Center Seattle, Washington

Greenshields Condominiums
Vancouver, British Columbia

Pinatura Condominiums
Vancouver, British Columbia

UPMC Shadyside
Pittsburg, Pennsylvania

Soma Condominiums
Vancouver, British Columbia

Qube Lofts
Vancouver, British Columbia

Valley Medical Center
Tacoma, Washington

Tapestry Condominiums
Vancouver, British Columbia

Residences at the Pier
Vancouver Island, British Columbia

Virginia Mason Hospital
Seattle, Washington

Time Residences
Vancouver, British Columbia

Washington State University
Biomedical Spokane, Washington

Enso Condominiums
Seattle, Washington

HOSPITALITY

Blackwall Hitch
Annapolis, Maryland

Hotel 1000
Seattle, Washington

Ko'alini Spa
Honolulu, Hawaii

Masa 14 Restaurant
Washington DC.

Southport Hotel
Renton, Washington

W Hotel
Miami, Florida

EDUCATION

Chemeketa Community College
Salem, Oregon

Full Sail University
Winter Park, Florida

Rice University
Houston, Texas

Santa Fe Community College
Santa Fe, New Mexico

Stanford Energy Lab
Stanford, California

Stanford Bio Medical
Stanford, California

University of Oregon
Eugene, Oregon

Yale University
New Haven, Connecticut

RETAIL

Lexus Dealership
Vancouver, British Columbia

Amplifon Hearing Aid Center
Scottsdale, Arizona

Amplifon Hearing Aid Center
Oakdale, Minnesota

AT&T Customer Experience
Atlanta, Georgia

AT&T Customer Service
Arlington Heights, Illinois

WORKPLACE

International Fashion
Vancouver, British Columbia

Integra Architects
Vancouver, British Columbia

Starbucks Coffee Company, Support
Center Richmond, British Columbia

AAA
Spokane, Washington

Academy of Motion Pictures
Los Angeles, California

Agilent Technologies
Palo Alto, California

Allied Works
Portland, Oregon

Google
Mountain view, California

Arcus Foundation
New York, New York

Better Place
Palo Alto, California

Brand New School
Santa Monica, California

Campbell's Soup
Camden, New Jersey

Card Connect
Kansas City, Missouri

Christian Louboutin Offices
New York, New York

Amazon
Seattle, Washington

Google
New York City, New York

Google
Mountain view, California

Google
New York City, New York

Gunsel Clark Iverson Architects
Seattle, Washington

Clif Bar Headquarters
Berkeley, California

Gensler Architects
Seattle, Washington

DIS Wheeler
Olympia, Washington

GOVERNMENT



Scan to view
our Projects